





SOLAR WATER HEATERS SUNSYSTEM SEL – WITHOUT COIL

Floor standing. For direct heating.

FEATURES



Energy Efficiency



Aesthetic PVC jacket



Easy installation



Convenient inspection
opening



Optional kit for electric
heating

PRODUCT FEATURES:

- High efficiency insulation and outer casing of PVC with RAL 9006 color.
- Multi-position mounting of temperature sensor.
- Complex corrosion protection realized by means of titanium enamel and anode protection.
- All threads are internal.
- Easy installation.
- Convenient inspection opening.
- Available modifications with vertical and horizontal orientation.
- Optional kit for electric heating with nominal power 3kW, 4.5kW, 6kW or 7.5kW.

MODIFICATIONS AND SIZES, LITERS:

- Vertical models:
150, 200, 300, 400, 500, 750, 1000, 1500, 2000.
- Horizontal models:
200, 300, 500, 1000, 1500.



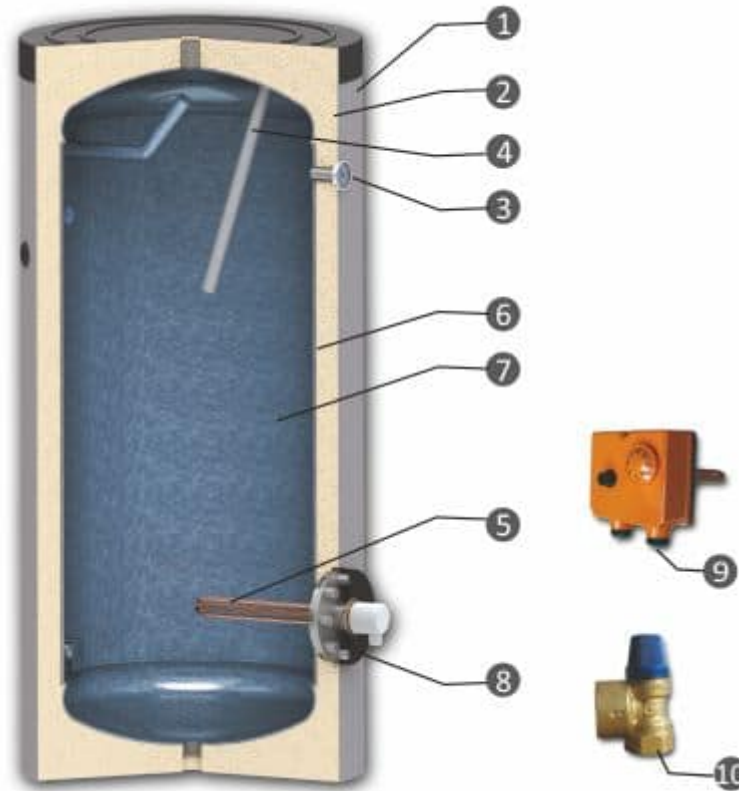
ENERGY EFFICIENCY

- Directive 2010/30 /EU, Regulation 812/2013:
- Class C – depending on the volume of the water heater



ELEMENTS:

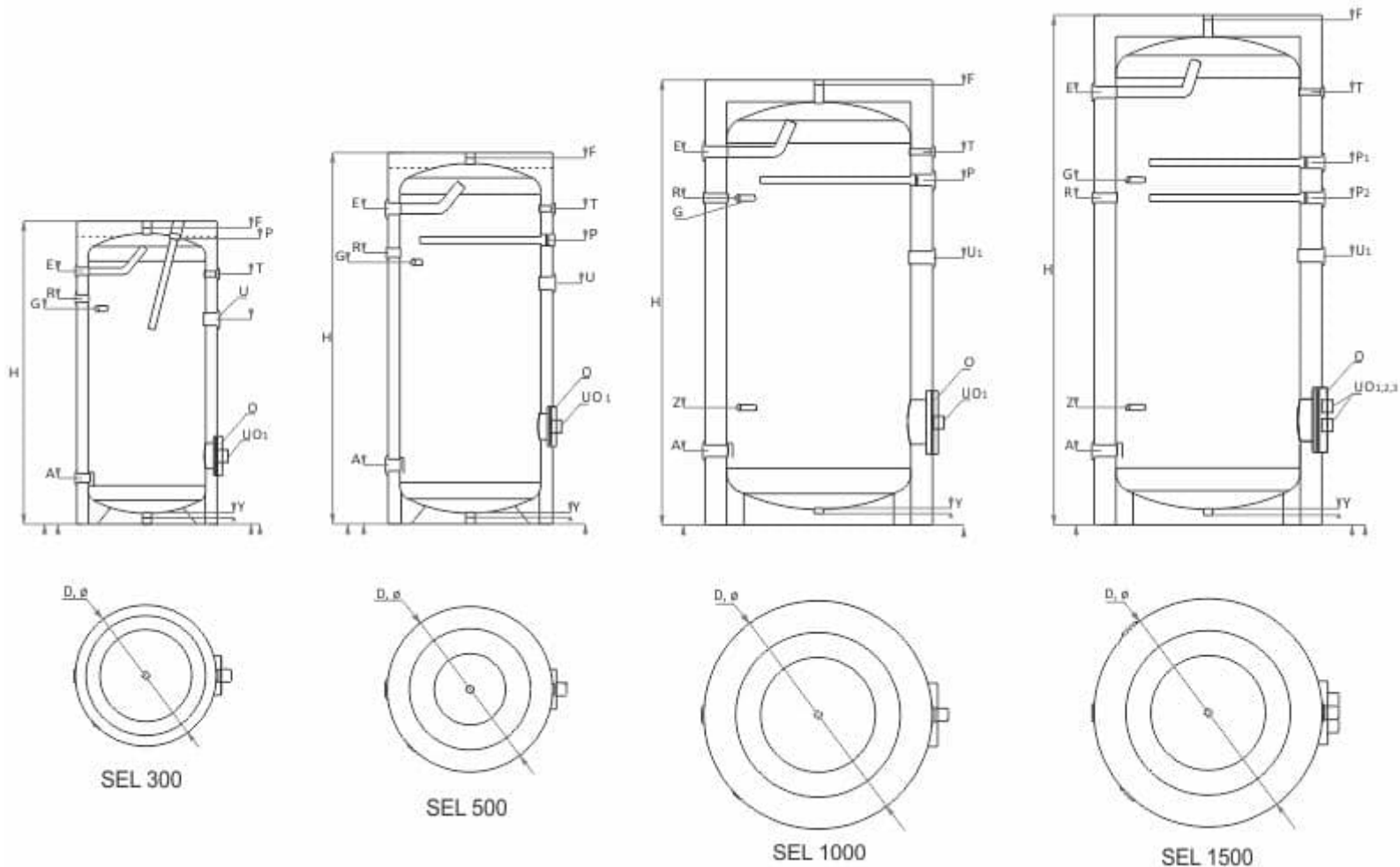
- 1 – Aesthetic PVC jacket with color RAL 9006
- 2 – Highly efficient thermal insulation
- 3 – Thermometer
- 4 – Anode protector (DIN 4753-6)
- 5 – Electric heating element
- 6 – Water tank of low-carbon steel
- 7 – Titanium enamel (DIN 4753-3)
- 8 – Inspection opening with flange cover
- 9 – Thermostat with integrated thermal protection
- 10 – Safety valve, 8 bar



TECHNICAL SPECIFICATIONS

Vertical models





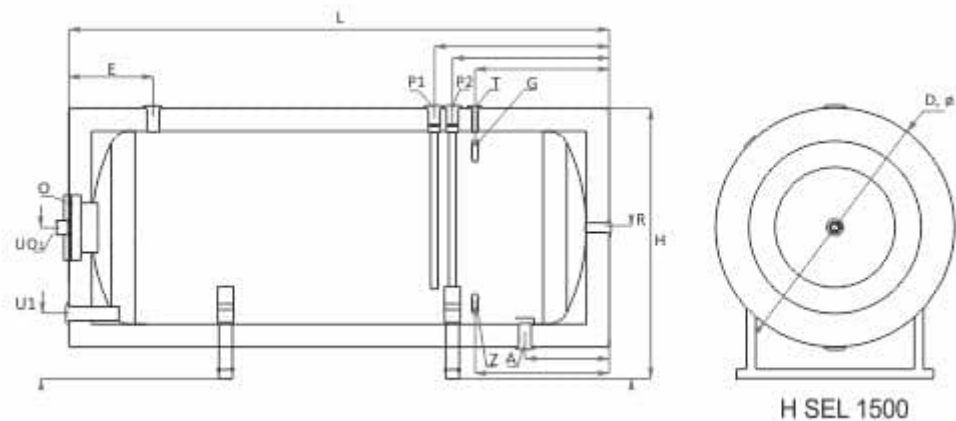
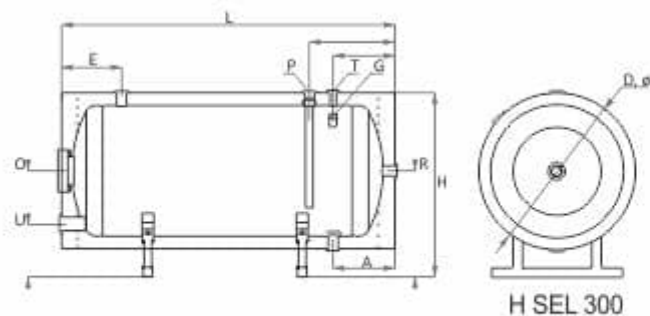
| | | SEL 150 | SEL 200 | SEL 300 | SEL 400 | SEL 500 | SEL 750 | SEL 1000 | SEL 1500 | SEL 2000 | |
|----------------------------------|-------|-----------------|-----------|-----------|-----------|-----------|----------------------------|-----------|-----------|-----------|--|
| Capacity | L | 150 | 200 | 300 | 400 | 500 | 750 | 1000 | 1500 | 2000 | |
| Height / Min. vertical clearance | H, mm | 1070/1210 | 1340/1460 | 1420/1580 | 1490/1670 | 1720/1890 | 2000/2030 | 2050/2080 | 2310/2370 | 2310/2370 | |
| Diameter | D, mm | Ø 560 | Ø 560 | Ø 660 | Ø 750 | Ø 750 | Ø 950 | Ø 1050 | Ø 1050 | Ø 1350 | |
| Insulation | | 50 mm rigid PPU | | | | | 100 mm soft PPU, removable | | | | |

| | | | | | | | | | | |
|--|--------------|---------------|---------------|---------------|---------------|---------------|---------------|---------------|----------------|----------------|
| Oper. pressure / max. temperature | bar/OC | 10/95 | 10/95 | 10/95 | 10/95 | 10/95 | 10/95 | 10/95 | 10/95 | 10/95 |
| Test pressure of tank | bar | 15 | 15 | 15 | 15 | 15 | 15 | 15 | 15 | 15 |
| Electric heating element (optional) | kW | 2 x (3÷6) | 2 x (3÷6) | 2 x (3÷6) | 2 x (3÷7.5) | 1 x (3÷7.5) | 2 x (3÷7.5) | 3 x (3÷7.5) | 4 x (3÷7.5) | 5 x (3÷7.5) |
| Weight | kg | 50 | 68 | 86 | 123 | 140 | 210 | 245 | 342 | 645 |
| Cold water inlet | A, mm | Rp1"/202 | Rp1"/202 | Rp1"/215 | Rp1¼"/270 | Rp1½"/270 | Rp1½"/300 | Rp1½"/320 | 2 x Rp1½"/320 | 2 x Rp1½"/385 |
| Hot water outlet | B, mm | Rp1"/895 | Rp1"/1112 | Rp1"/1182 | Rp1¼"/1204 | Rp1½"/1453 | Rp1½"/1630 | Rp1½"/1700 | 2 x Rp1½"/1975 | 2 x Rp1½"/1885 |
| Recirculation | R, mm | Rp¾"/788 | Rp¾"/987 | Rp¾"/1055 | Rp1"/1005 | Rp1"/1250 | Rp1"/1405 | Rp1"/1487 | Rp1"/1487 | Rp1"/1635 |
| Sensor sleeve for thermostat | G, mm, Rp½" | 788 | 900 | 1008 | 950 | 1208 | 1570 | 1487 | 1487 | 1685 |
| Air vent sleeve | F, mm, Rp" | 1070 | 1340 | 1410 | 1480 | 1710 | 1945 | 2020 | 2320 | 2311 |
| Inspection opening/Flange | O, mm, Ø, mm | 180/309 Ø 110 | 180/309 Ø 110 | 180/320 Ø 110 | 180/450 Ø 110 | 180/450 Ø 110 | 280/450 Ø 200 | 280/460 Ø 200 | 280/460 Ø 200 | 560/555 Ø 400 |
| Drain sleeve | Y, mm, Rp" | 20 | 20 | 20 | 20 | 20 | 20 | 40 | 40 | 30 |
| Thermometer | T, mm, Rp½" | 895 | 1138 | 1170 | 1204 | 1453 | 1630 | 1700 | 1975 | 1835 |
| Anode | P, mm, Rp¼" | 1070 | 1340 | 1410 | 1079 | 1340 | 1435 | 1570 | 2 x 1570/1650 | 2 x 1625/17 |
| Sleeve for Electric element on water tank body | U, mm, | Rp1½"/630 | Rp1½"/750 | Rp1½"/850 | Rp1½"/900 | Rp1½"/1110 | Rp1½"/1040 | Rp1½"/1140 | Rp1½"/1220 | 2 x Rp1½"/1330 |
| Sleeve for Electric | Uo, mm, | Rp1½"/309 | Rp1½"/309 | Rp1½"/320 | Rp1½"/450 | Rp1½"/450 | Rp1½"/450 | 2 x Rp1½"/460 | 3 x Rp1½"/520 | 3 x Rp1½"/484 |

element on inspection opening flange

| | | | | | | | | | | |
|--------------------------|-------|---|---|---|---|---|-----|-----|-----|-----|
| Additional sensor sleeve | Z, mm | - | - | - | - | - | 535 | 520 | 520 | 745 |
|--------------------------|-------|---|---|---|---|---|-----|-----|-----|-----|

Horizontal models:



| | | HSEL 200 | HSEL 300 | HSEL 500 | HSEL 1000 | HSEL 1500 |
|----------|-----|----------|----------|----------|-----------|-----------|
| Capacity | (L) | 200 | 300 | 500 | 1000 | 1500 |

| | | | | | | |
|--|---------------|------------------|------------------|------------------|----------------------------|------------------|
| Height / Length | H, L, mm | 695/1340 | 790/1340 | 890/1710 | 1190/2080 | 1190/2380 |
| Diameter | D, mm | Ø 560 | Ø 660 | Ø 750 | Ø 1050 | Ø 1050 |
| Insulation | | 50 mm rigid PPU | | | 100 mm soft PPU, removable | |
| Oper. pressure / max. temperature | bar/0C | 10/95 | 10/95 | 10/95 | 10/95 | 10/95 |
| Test pressure of tank | bar | 15 | 15 | 15 | 15 | 15 |
| Electric heating element (optional) | kW | 2 x (3÷7.5) | 2 x (3÷7.5) | 2 x (3÷7.5) | 3 x (3÷7.5) | 4 x (3÷7.5) |
| Weight | kg | 68 | 86 | 140 | 245 | 342 |
| Cold water inlet | A, mm | Rp1"/220 | Rp1"/260 | Rp1½"/270 | Rp1½"/370 | Rp1½"/360 |
| Hot water outlet | B, mm | Rp1"/220 | Rp1"/260 | Rp1½"/270 | Rp1½"/320 | Rp1½"/320 |
| Recirculation | R, mm | Rp1"/420 | Rp1"/465 | Rp1"/515 | Rp1"/665 | Rp1"/665 |
| Sensor sleeve for thermostat | G, mm, Rp½" | 220 | 260 | 270 | 370 | 580 |
| Inspection opening/Flange | O, mm, Ø, mm | 180/420 Ø 110 | 180/465 Ø 110 | 180/515 Ø 110 | 280/665 Ø 200 | 280/665 Ø 200 |
| Thermometer | T, mm, Rp½" | 220 | 260 | 270 | 370 | 580 |
| Anode | P, mm, Rp1¼" | 320 | 360 | 370 | 470 | 2 x 680/770 |
| Sleeve for Electric element on water tank body | U, mm, Rp1½" | Rp1½" /195 | Rp1½" /258 | Rp1½" /245 | 2 x Rp1½" /280 | 2 x Rp1½" /280 |
| Sleeve for Electric element on inspection opening flange | Uo, mm, Rp1½" | Rp1½" /420 | Rp1½" /465 | Rp1½" /515 | Rp1½" /665 | Rp1½" /665 |
| Additional sensor sleeve | Z, mm, Rp1½" | – | – | – | 370 | 580 |



PRODUCTS

HEATING APPLIANCES

WATER HEATERS BUFFER TANKS

SOLAR COLLECTORS

INDUSTRIAL SOLUTIONS



Follow us on Facebook



BURNiT International
23 225 meeldimist

Märgi leht meeldivaks



- attractive prices
- Energy class A+
- Ecological combustion
- Made in EU

Ole oma sõprade hulgast esimene, kellele see meeldib



GENERAL TERMS



© All rights reserved NES Ltd | www.burnit.bg | Designed by Alpha Hosting

